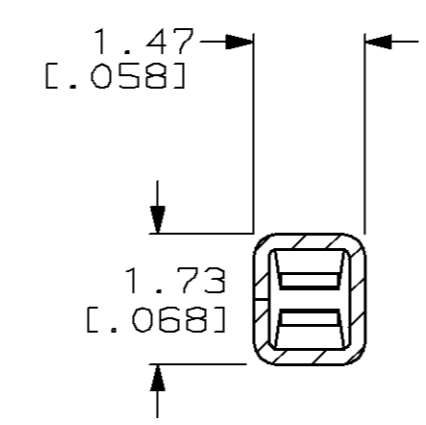
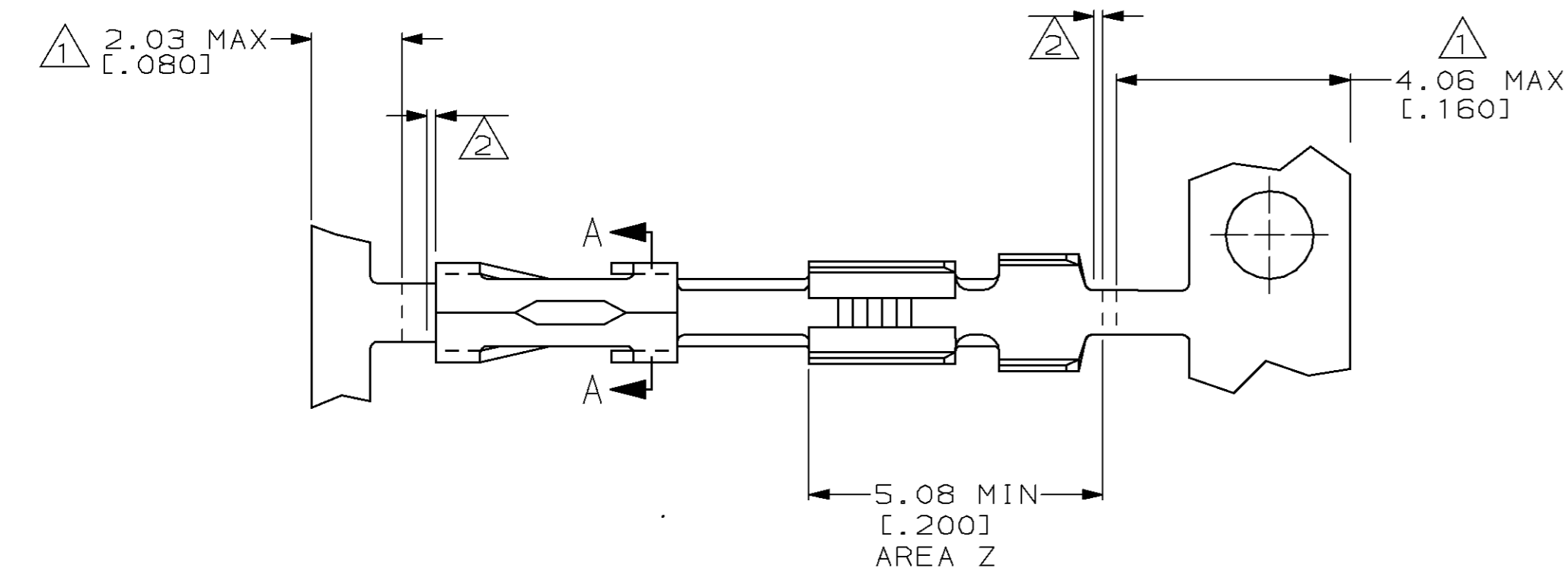
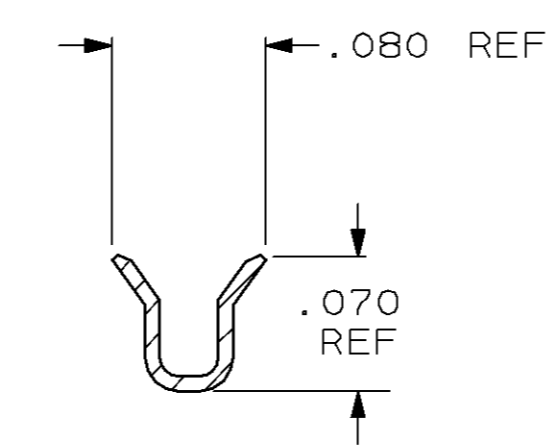


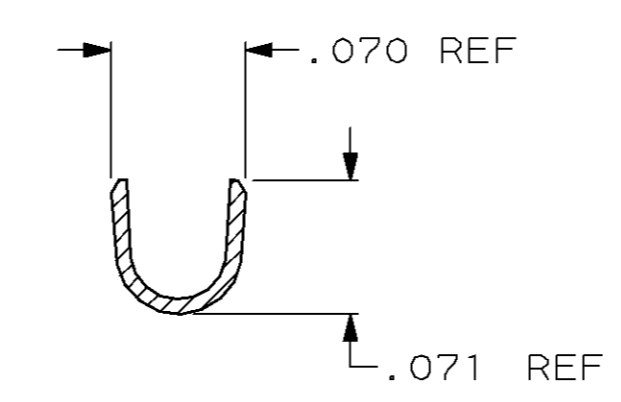
LOC		DIST		P		F		ZONE		LTR		REVISIONS			
AD	39											DESCRIPTION	DATE	APPD	
												L	REV & REDWN PER 0010-0310-96	09DEC96	JH



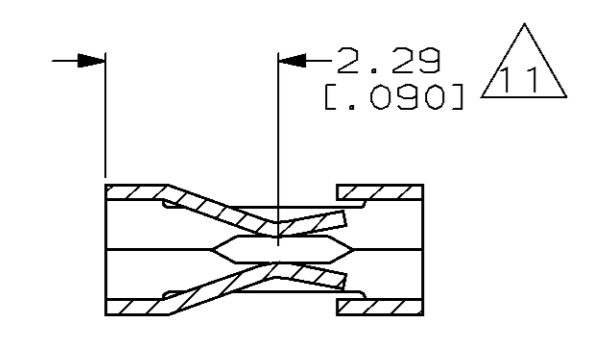
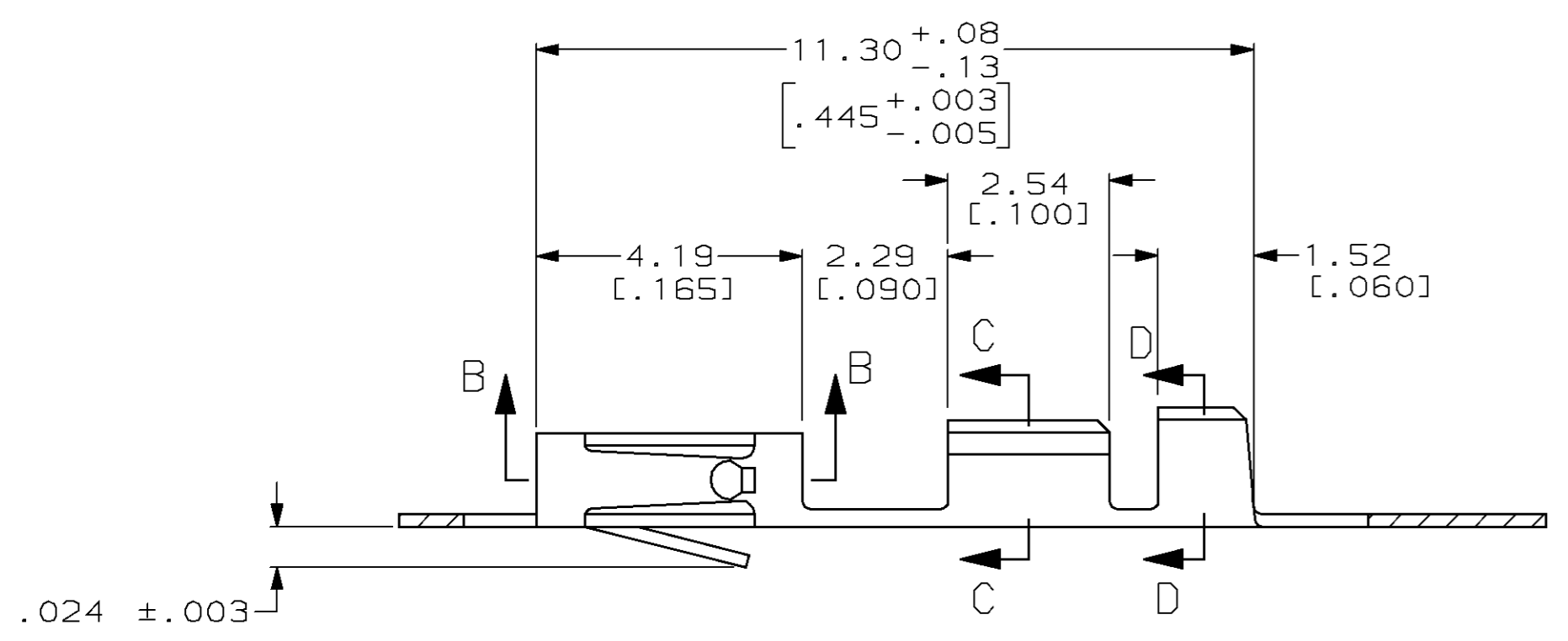
SECTION A-A



WIRE SIZE: #26-#30  
SECTION C-C



INSULATION RANGE: .048 MAX  
SECTION D-D



SECTION B-B

- 1 GOLD PLATING NOT REQUIRED IN THIS AREA.
- 2 .006 MAX LOOSE PIECE CUT OFF.
- 3 .000050-.000150 PREPLATED BRIGHT TIN.
- 4 .000030 GOLD IN CONTACT AREA, GOLD FLASH ON THE REMAINDER, OVER .000050 NICKEL.
- 5 .000030 GOLD OVER .000050 NICKEL, ENTIRE CONTACT.
- 6 .000050 GOLD OVER .000050 NICKEL, ENTIRE CONTACT.
- 7 .000015 GOLD IN CONTACT AREA, GOLD FLASH ON THE REMAINDER, OVER .000050 NICKEL.
- 8 .000015 GOLD IN CONTACT AREA, .000100 - .000200 BRIGHT TIN-LEAD IN AREA Z, ALL OVER .000050 NICKEL.
- 9 .000030 GOLD IN CONTACT AREA, .000100 - .000200 BRIGHT TIN-LEAD IN AREA Z, ALL OVER .000050 NICKEL.
- 10 SHEARED EDGES PERMITTED TO BE UNPLATED.
- 11 POINT OF MEASUREMENT FOR PLATING THICKNESS (INSIDE BEAMS).
- 12 OBSOLETE PART NUMBERS.

OBSOLETE	LOOSE PC	9	10	2-87313-1
OBSOLETE	MINI APPL	9	10	2-87313-0
OBSOLETE	LOOSE PC	8	10	1-87313-9
OBSOLETE	MINI APPL	8	10	1-87313-8
OBSOLETE	LOOSE PC	7	10	1-87313-7
OBSOLETE	LOOSE PC	6	10	1-87313-6
OBSOLETE	LOOSE PC	5	10	1-87313-5
	LOOSE PC	4	10	1-87313-4
OBSOLETE	LOOSE PC	3	10	1-87313-3
OBSOLETE	MINI APPL	2	10	1-87313-2
OBSOLETE	MINI APPL	1	10	1-87313-1
OBSOLETE	MINI APPL	1	10	1-87313-0
	MINI APPL	1	10	87313-9
	MINI APPL	1	10	87313-8
OBSOLETE	STD APPL	-	-	87313-7
OBSOLETE	STD APPL	1	10	87313-6
OBSOLETE	STD APPL	1	10	87313-5
OBSOLETE	STD APPL	1	10	87313-4
OBSOLETE	STD APPL	1	10	87313-3
OBSOLETE	STD APPL	1	10	87313-2
	IN PROCESS	-	-	87313-1
	TYPE	FINISH		PART NUMBER

DO NOT SCALE PRINT. UNLESS SPECIFIED DIMENSIONS IN mm [INCHES] TOLERANCES ON:		DR 09DEC96 J.HERRINGTON		AMP AMP Incorporated Harrisburg, PA 17105-3608	
2 PLC DEC ± -	CHK 09DEC96 J.HERRINGTON	NAME			
3 PLC DEC ± .13 [.005]	APPD 09DEC96 J.HERRINGTON	CONTACT, MOD V, RECEPTACLE, CRIMP SNAP-IN			
ANGLES ± -	APPD 09DEC96 J.HERRINGTON	SIZE	CAGE CODE	DRAWING NO	
MATERIAL	PHOS BRONZE .008 THK.	D	00779	C=87313	
FINISH	SEE TABLE	SCALE	NTS	SHEET	1 OF 1

THIS DRAWING IS A CONTROLLED DOCUMENT FOR AMP INCORPORATED. IT IS SUBJECT TO CHANGE AND THE CONTROLLING ENGINEERING ORGANIZATION SHOULD BE CONTACTED FOR THE LATEST REVISION.